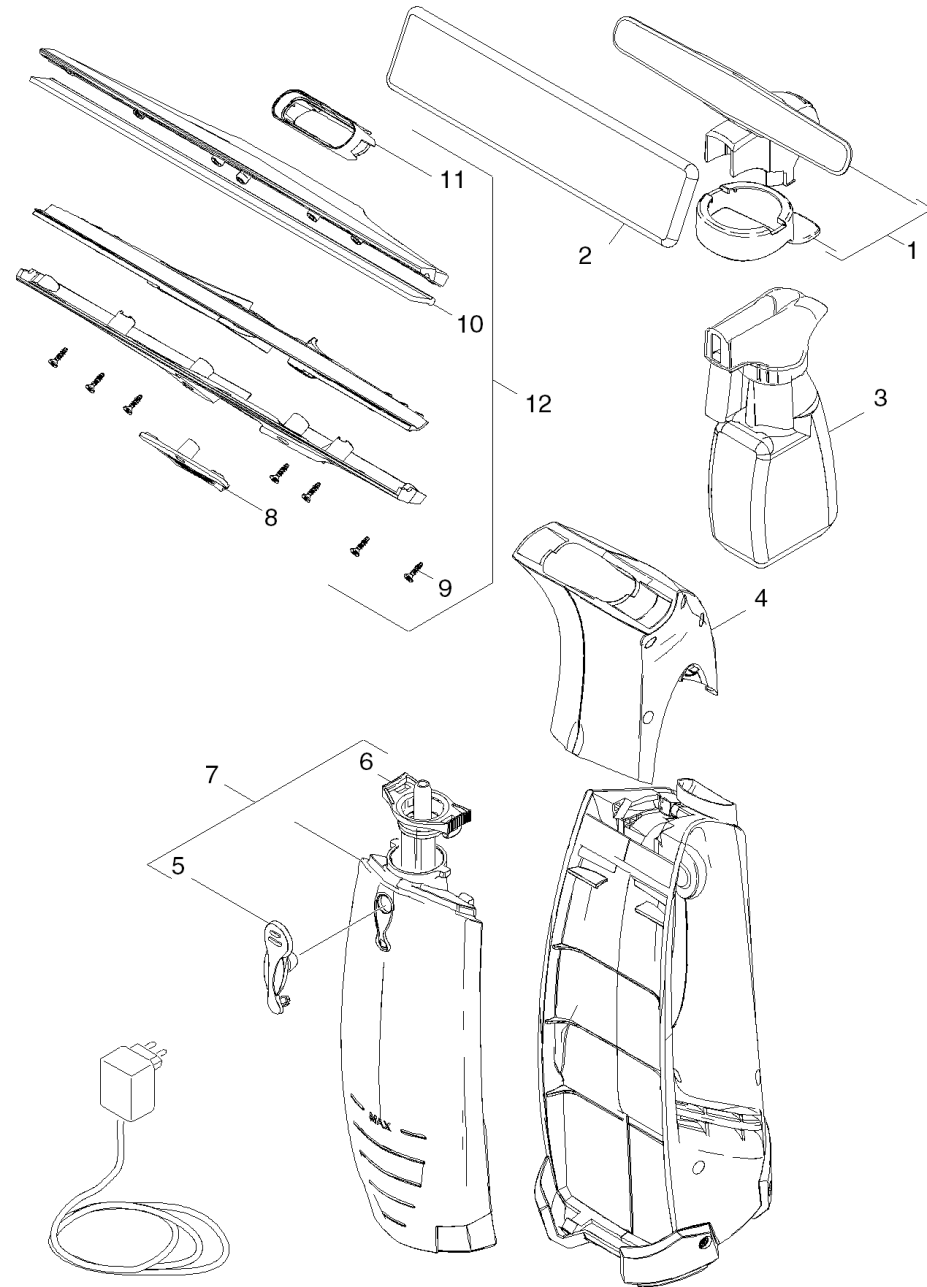


Short spare parts list (1.633-117.3)

Home and Garden \ Window cleaner \ WV 50 Plus EU-II \ Short spare parts list



Short spare parts list (1.633-117.3)

Home and Garden \ Window cleaner \ WV 50 Plus EU-II \ Short spare parts list

KÄRCHER

POS	Article no.	Description	Quantity	Unit
1	4.633-039.0	Pad retainer complete f.Ersatz	1.000	ST
2	2.633-100.0	2 WV microfibre wiping clothes WV50	1.000	ST
3	6.394-726.0	Spray bottle transparent 250 ml	1.000	ST
4	4.633-029.0	Separator complete	1.000	ST
5	5.633-012.0	Closure	1.000	ST
6	5.633-013.0	Vstup vody	1.000	ST
7	4.633-031.0	Tank complete	1.000	ST
8	5.633-028.0	Pusher suction nozzle	1.000	ST
9	7.303-119.0	Countersunk screw 3x10 -10.9-R2R (In6Rd	7.000	ST
10	2.633-005.0	Pull-off lip WV 50 (280mm)	1.000	ST
11	5.633-011.0	Baffle plate	1.000	ST
12	4.633-043.0	Suction nozzle complete black neutral	1.000	ST